

ODISHA ELECTRICITY REGULATORY COMMISSION
PLOT NO.4, CHUNAKOLI, SAILASHREE VIHAR, CHANDRASEKHARPUR,
BHUBANESWAR - 751021

ORDER

No.OERC/Engg.-02/2010/(Vol-V)/ 71

Dated: 17.01.2018

The Commission had issued an order on 19.08.2016 on Net Metering / Bi-directional Metering and their connectivity with respect to Solar PV Projects. In the meantime several suggestions/ views have been received by the Commission with regard to difficulties in implementing the said order. Therefore, after considering the suggestions/ views of the parties, the Commission hereby amends the order for smooth implementation of the same.

Amendments of the order:

1. The paragraph 10 (metering arrangement) of OERC order dated 19.08.2016 before proviso 1 is replaced as follows:

Two meters would have to be installed by the solar power generator. One is for measuring solar generation and the other one is for Import/Export measurement. The first meter, the solar generation meter, has to be installed at the generator end after the inverter at the ground floor of the premises to facilitate easy access for meter reading. In case of multiple solar generations sources in a single premise, separate solar meters would have to be installed by the solar power generator/prosumer for each of the sources with facility for installation of modem alongwith all the solar meters for remote recording of monthly generation data through GSM or GPRS to the concerned distribution licensee. As an alternate, the consumer can provide the soft copy of dump data of solar generation meter in .xml/cdf/dmd/emd/mrd format through email to the concerned licensee in the first week of succeeding month. Notwithstanding the above provision of remote meter reading, manual reading can also be taken by the licensee in case of emergency or if situation so warrants arising out of technical deficiencies or force majeure situations. In that case the manual reading shall be treated as final reading for all purposes. One net meter/bi-directional meter (single phase or three phase as per requirement) capable of recording import and export of power in KWh is to be installed which shall be accepted by all for commercial settlement. These meters should be MRI and AMR complaint.

2. In the event of failure of the Grid and solar generation, to facilitate use of power from battery by beneficiaries the schematic diagram in Annexure –I is replaced with a new one.
3. The following line shall be inserted before last line of para 7.

“The export from and import to the system shall be at same voltage.”

All other provisions of our order dated 19.08.2016 remains unaltered. This amendment order is issued with the approval of the Commission.

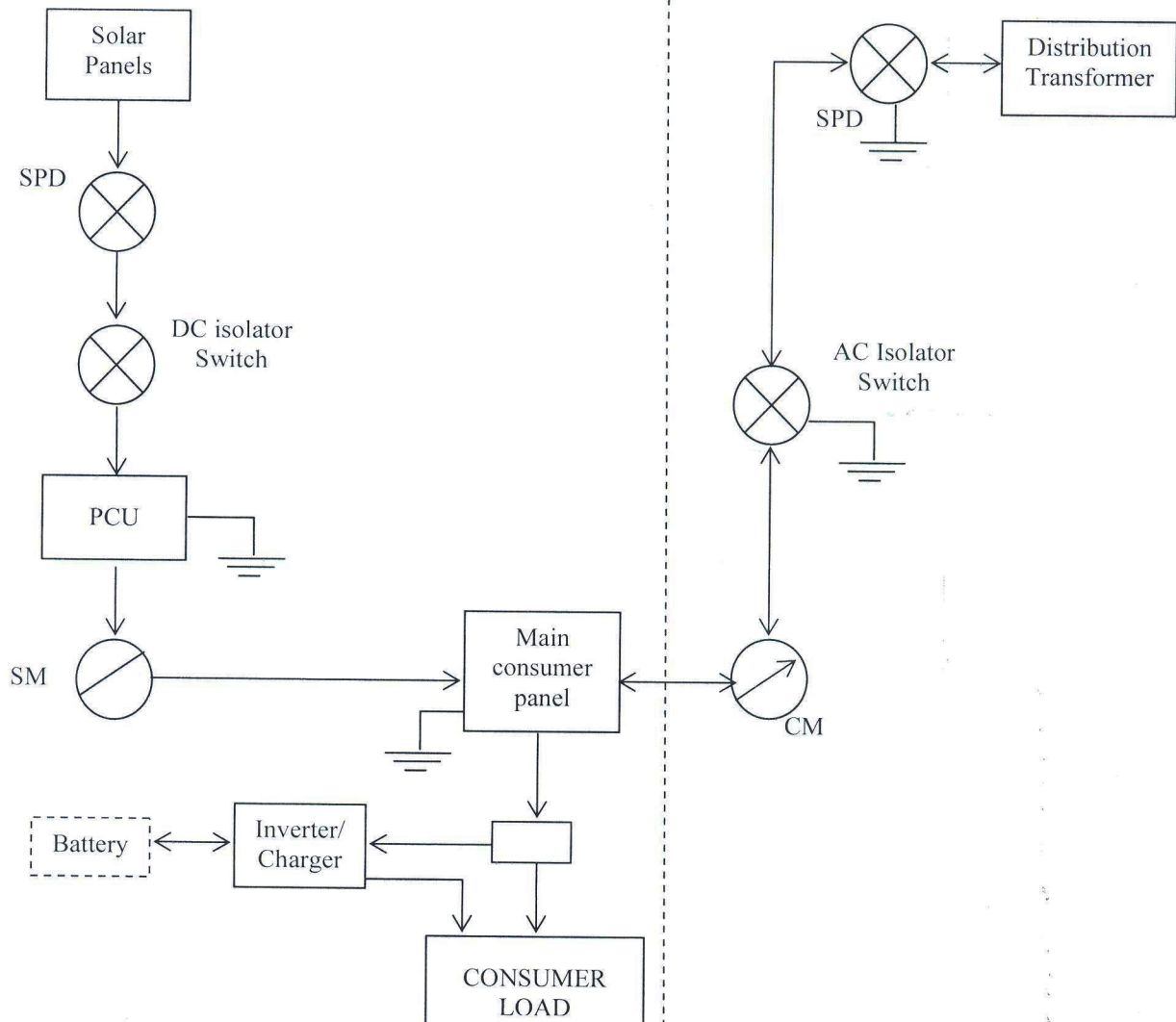
By order of the Commission


SECRETARY

Overview of a basic grid interactive Photo Voltaic system

System side

Grid Side



SPD- Surge Protective Device, PCU- Power Conditioning Unit, SM-Solar Generation Meter, CM- Consumer Meter (Net meter or Bi-directional meter)

* A separate/wiring arrangement should be made from inverter/charger to the consumers critical load.

* The actual connectivity diagram may vary depending upon site specification.